

**BAXI**  
Make it easy



ErP Compliant 

# Baxi 600, Platinum, Duo-tec and Megaflo boilers

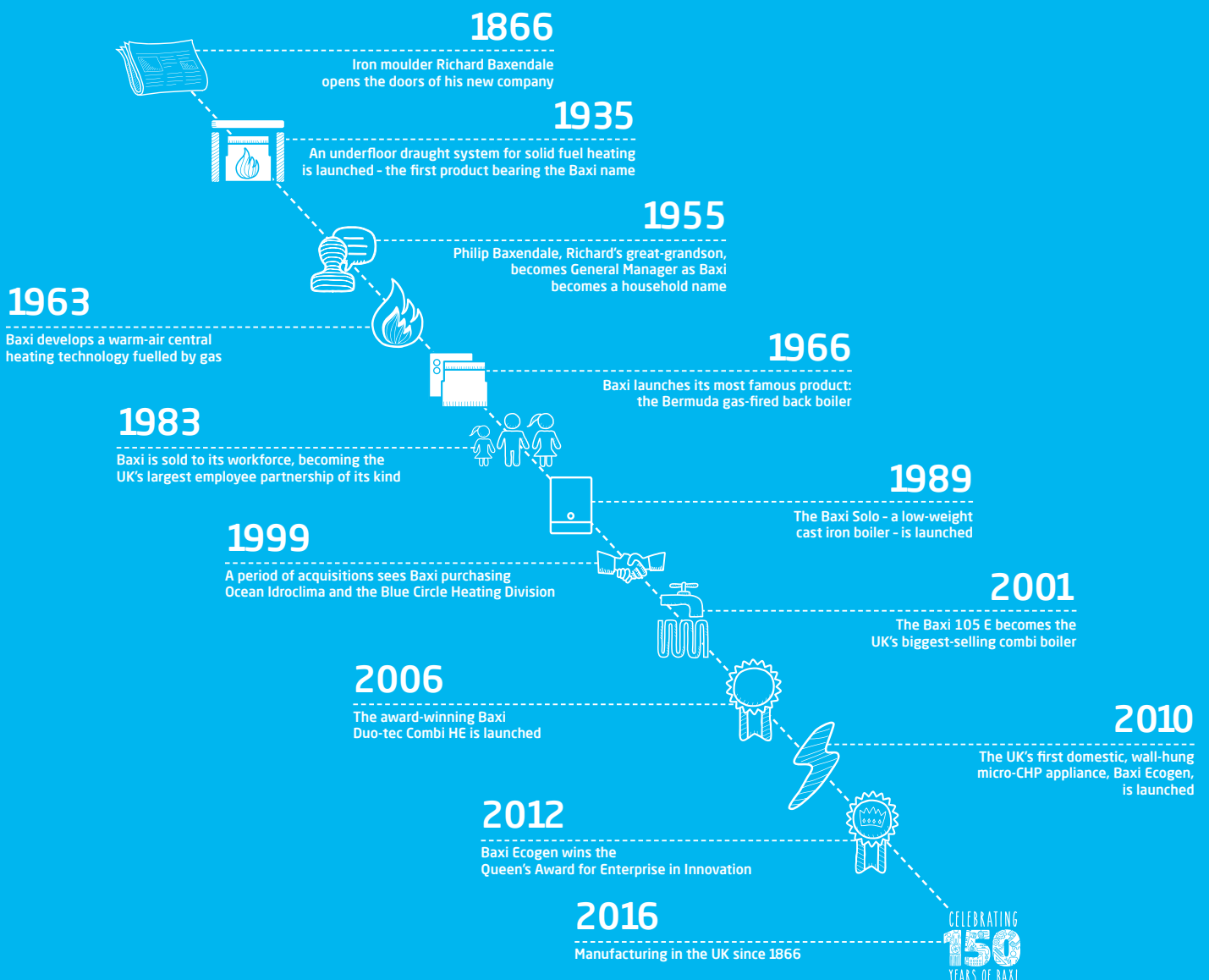
Range guide

# A brand you can trust

Baxi has been manufacturing in the UK for over 150 years. It has a heritage of providing cutting edge heating products for homes and is the best known boiler manufacturer amongst homeowners.†

We continue to invest in the business to provide reliable, energy efficient heating and hot water products, backed by industry-leading customer support, nationwide availability of parts and training.

## A brief history of Baxi



†According to independent research.

# Baxi make it easy



We are committed to making your experience with Baxi as easy as possible.

## Reliability

Every Baxi boiler has to pass a full function test using gas, water and electricity, before it leaves the production line.

## Warranty

We are so confident in the reliability of our boilers that we provide industry-leading warranties, providing peace of mind for you and your customers. And our warranty terms and conditions have been approved by the Plain English Campaign so they are easy to understand.

## Efficiency

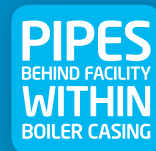
All Baxi boilers are Energy Saving Trust endorsed, helping households to save money on their gas bills.

## Support

We are there for you – providing practical training, technical help and genuine parts – when you need us.

## Easy to install

Our boilers come with a pre-plumbing jig, complete with preformed copper pipe tails, built-in filling loop and one metre mains cable to save you time and money during installation.



## Key features

---

Outputs 24kw & 30kw

---

Great hot water performance

---

Compact cupboard fit

---

Pipes behind facility within boiler casing

---

Lightweight

---

Easy-Fill permanent filling link

---

Brass hydraulics block

---

Central flue

---

OpenTherm interface

## Benefits

---

To suit most property sizes

---

Flow rates up to 12.2 litres per minute\*\*

---

Can be installed in a 290mm deep cupboard

---

Save time, space and money by piping behind within the footprint of the boiler

---

29.5kg lift weight

---

Single spring loaded lever enables homeowners to top up the system quickly and easily

---

Trusted and robust

---

For easy replacement

---

Compatible with Baxi uSense Smart Wired Thermostat

\* Subject to registration and an annual service. Terms and conditions apply. Visit [baxi.co.uk/warranty](http://baxi.co.uk/warranty)

\*\* At 35°C rise



# Baxi 600 Combi

The Baxi 600 is small enough to fit into a 290mm deep cupboard, has a built in pipes behind facility within the boiler casing and brass hydraulics. It's compatible with the Baxi uSense smart thermostat and comes with a 7 year extended warranty\*

## Accessories

---

The following accessories are compatible with the Baxi 600 Combi



**7649277**  
Baxi uSense smart thermostat



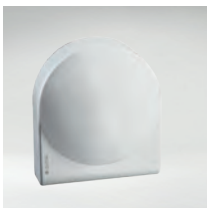
**7683084**  
Baxi IFOS (In Flue Outdoor Sensor)



**720971601**  
Baxi wired room thermostat



**720971401**  
Wall mounted 24hr mechanical timer



**7686478**  
Multifit wired outdoor weather sensor



**7212444**  
Baxi single channel wired timer



**7212438**  
Baxi single channel wired programmable room thermostat



**720030501**  
Baxi combi wireless 7 Day programmable room stat

# Technical specifications

HOW WE MAKE IT EASY

Wall mounted bracket for quick and simple installation.



## Boiler dimensions

Width [A]	Height [B]	Depth [C]
390mm	700mm	285mm

## Service clearances

Side [D]	Upper [E]	Lower [F]	Front [G]
5mm*	178mm*	200mm*	5mm in operation*, (*450mm for servicing purposes)

\*These are the minimum recommended dimensions. Greater clearance will aid installation and maintenance.



## What's in the box?



Baxi 600 Combi boiler



Wall mounted bracket



Literature and fitting pack



Easy-Fill permanent filling link



Copper pipe tails

# Technical details

## Baxi 600 Combi ErP

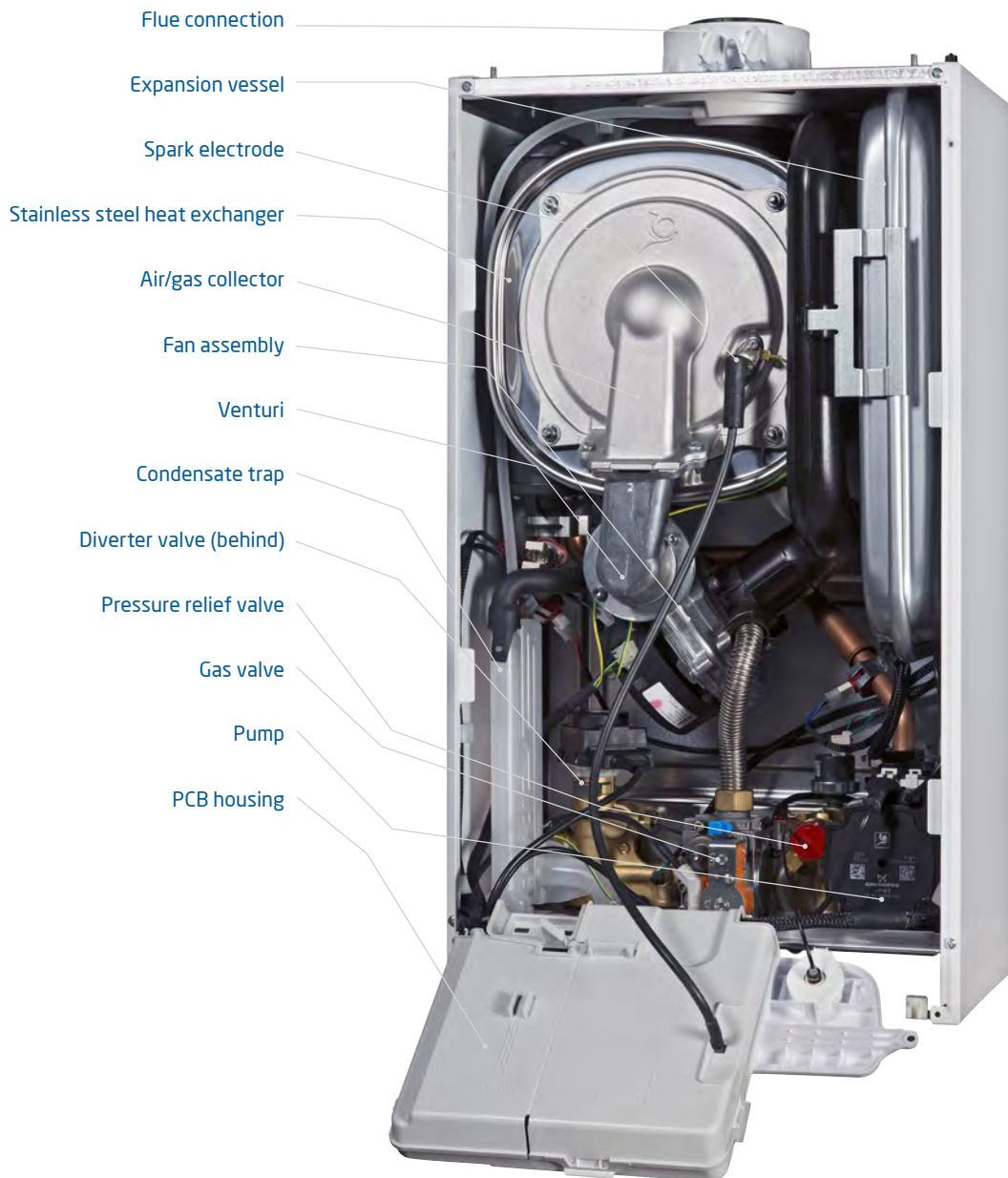
624 Combi

630 Combi

Sales code	Boiler only	7682194	7682101
<b>Controls and accessories</b>			
User adjustable DHW temperature	Range - 35°C to 60°C	✓	✓
User adjustable CH temperature	Range - 25°C to 80°C	✓	✓
Temp/status/fault diagnosis display		LCD display	LCD display
uSense Wired (optional accessory)	7649277	Optional	Optional
Integral 24 hr Electro-mechanical timer		✗	✗
Wired 24hr Electro-mechanical timer (optional accessory)	720971401	Optional	Optional
7 Day RF Digital Programmable Room Thermostat (optional accessory)	720030501	Optional	Optional
Single Channel Wired Programmable Room Thermostat (optional accessory)	7212438	Optional	Optional
Single Channel Wired Timer (optional accessory)	7212444	Optional	Optional
Wired room Thermostat (optional accessory)	720971601	Optional	Optional
Wired Outdoor Weather Sensor (optional accessory)	7686478	Optional	Optional
Baxi IFOS (optional accessory)	7683084	Optional	Optional
Baxi Easy-Fill	7665482	✓	✓
<b>Gas</b>			
Natural gas		✓	✓
Propane LPG		✗	✗
Inlet supply pressure (natural gas)	mbar (nominal)	20	20
Maximum Gas Rate (G20) Qmax	m³/hr	2.71	3.26
NOx	mg/kWh	29.7	28.3
NOx class		5	5
Heat input CH	kW (Max) Gross (QnHs)	22.86	22.86
	kW (Min) Gross (QnHs)	6.87	6.87
Heat output CH (non condensing)	kW (Max) (Pn)	20	20
	kW (Min) (Pn)	6.2	6.2
Heat output CH (condensing)	kW (Max) (Pnc)	21.16	21.16
	kW (Min) (Pnc)	6.7	6.7
Heat input domestic hot water (DHW)	kW max gross (QnWHs)	25	30
Heat output domestic hot water	kW max	25.77	30.93
SAP 2009 Annual Efficiency (PCDB/SEDBUK)		89%	89%
<b>ErP Product Information</b>			
Seasonal Space Heating Energy Efficiency		93%	93%
Sound power level, indoors	LWA dB	50	53
Space heating efficiency class		A	A
Water heating declared load profile		XL	XL
Water heating efficiency class		A	A
<b>Electrical</b>			
Electrical supply	Volts / Hz	230V / 50Hz	230V / 50Hz
Permanent live required		✓	✓
Electrical cable supplied	(0.75mm heat resistant flex)	✗	✗
Power consumption when firing	Watts	100	100
External fuse rating	Amps	3	3
Internal fuse rating	Amps	F2A H250V	F2A H250V
Boiler IP rating (electrical protection) without integral timer fitted	Approval Category	IPX5D	IPX5D
Circulating pump exercise feature		✓	✓
Pump overrun		✓	✓
Integral 'boiler only' frost thermostat		✓	✓
<b>Mechanical</b>			
Hanging Bracket		✓	✓
Isolating valves with pre-formed copper tails		✓	✓
Gas supply pipe size	(mm)	22	22
Central heating connections	(mm)	22	22
Domestic Hot Water connections	(mm)	15	15
Condensate discharge pipe connection	(mm)	21.5	21.5
Safety discharge pipe connection	(mm)	15	15
Pre-plumbing jig accessory (optional accessory)	7682545	✓	✓
Rear pipework kit (optional accessory)	7682790	✓	✓
Temporary flexible filling loop (optional accessory)	248221	✓	✓
Remote secondary PRV kit (optional accessory)	5121379	✓	✓
<b>Hydraulic</b>			
Maximum DHW flow rate (Delta T @ 35°C max)	l/min	10.2	12.2
Minimum DHW flow rate required	l/min	2	2
Minimum operating DHW pressure required	bar	0.5	0.5
Maximum DHW system pressure	bar	8	8
Safety discharge pressure	bar	3	3
Compartment ventilation required		✗	✗
Easy-Fill permanent filling loop supplied		✓	✓
Integral expansion vessel	Size (litres)	7	7
Maximum capacity of CH system	Litres	100	100
Integral automatic bypass		✓	✓
CH System Inhibitor Required		✓	✓
<b>Concentric flue systems</b>			
Concentric flue diameters	mm	60/100 and 80/125	60/100 and 80/125
Standard telescopic horizontal flue (60/100mm)	mm	315-500	315-500
Standard horizontal flue kit (60/100mm)	mm	685	685
Max equiv length horizontal/vertical (60/100mm)	m	10	10
Max equiv length horizontal/vertical (80/125mm)	m	20	20
Equivalent length per 135° bend	m	0.50	0.50
Equivalent length per 93° bend	m	1.00	1.00
<b>Weights</b>			
Installer lift weight (boiler)	Max (kg)	29	29
Gross packaged boiler weight	(kg)	32.5	32.5

# What's inside the boiler?

Baxi 600 Combi



HOW WE MAKE IT EASY

**An industry-leading  
choice of flues.**



# Flues

## Horizontal concentric flues Ø 60/100mm

### Multifit flue group A

Item description	Colour	Specification	Key and OD dimensions	Sales code
1 Horizontal telescopic flue inc. low profile elbow and fixing screws	White pipe/white terminal	315mm - 500mm	100mm	720599401
2 Horizontal telescopic flue inc. low profile elbow and fixing screws	White pipe/black terminal	315mm - 500mm	100mm	720598701
3 1m flue extension inc. fixing screws	White	1000mm	100mm	720648801
4 93° flue bend inc. fixing screws	White	93°	100mm	720648401
5 135° flue bend inc. fixing screws (pair)	White	135°	100mm	720647901
6 Standard horizontal flue inc. low profile elbow and fixing screws	White pipe/black terminal	685mm	100mm	7222019

## Plume displacement kits Ø 60/100mm

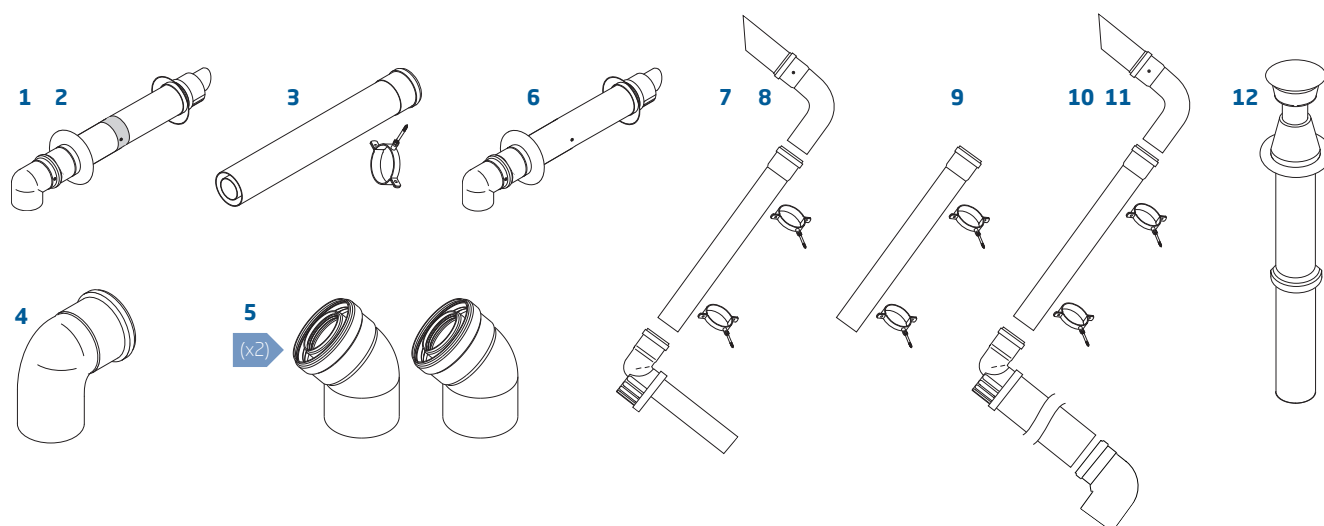
### Multifit flue group A

Item description	Colour	Specification	Key and OD dimensions	Sales code
7 Plume displacement terminal kit for telescopic flue inc 1m extension and brackets	White		60mm	720627001
8 Plume displacement terminal kit for telescopic flue inc 1m extension and brackets	Black		60mm	720622901
9 Plume displacement kit extension and brackets	White	1000mm	60mm	720643401
10 Plume displacement terminal kit inc. 1m extension and brackets	White		60mm	7225717
11 Plume displacement terminal kit inc. 1m extension and brackets	Black		60mm	7225716

## Vertical concentric flues Ø 60/100mm

### Multifit flue group A

Item description	Colour	Specification	Key and OD dimensions	Sales code
12 Vertical flue terminal	Black		100mm	5118576
3 1m flue extension inc. fixing screws	White	1000mm	100mm	720648801
4 93° flue bend inc. fixing screws	White	93°	100mm	720648401
5 135° flue bend inc. fixing screws (pair)	White	135°	100mm	720647901





## Key features

- Outputs: 24kW, 28kW, 33kW, 40kW
- Pre-plumbing jig, with built-in filling loop and preformed copper tails
- Built-in mechanical 24 hour timer
- Built-in frost thermostat
- Easy-Fill permanent filling link
- Front access to all components
- Exceptional flow rate (up to 16.4 litres per minute) at a rise of 35°C
- Compatible with Multifit flue kits

## Benefits

- To suit most property sizes
- Easy to install and maintain, saving time and money
- Easy to set and control
- Suitable for siting in garages and lofts
- Single spring loaded lever enables homeowners to top up the system quickly and easily
- Easy to service and maintain
- Ideal for homes with more than one bathroom
- Industry-leading choice of lengths, bends and accessories

\* Subject to registration and an annual service. Terms and conditions apply. Visit [baxi.co.uk/warranty](http://baxi.co.uk/warranty)



*I regularly recommend the Platinum Combi. The 10 year warranty means customers trust the product and I know that it won't let them down.*

**Simon Harrington**  
Harrington Plumbing & Heating

# Baxi Platinum Combi

The Baxi Platinum Combi is our top of the range boiler. A firm favourite with householders and installers alike, it's an Energy Saving Trust endorsed product, so you can be sure of its excellent energy efficiency.

## Accessories

The following accessories are compatible with the Baxi Platinum Combi



**7683084**  
Baxi IFOS (In Flue Outdoor Sensor)



**5117391**  
Baxi programmable 24 hour wireless sensor



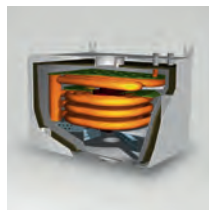
**720030507**  
Baxi seven day programmable room thermostat



**720971601**  
Baxi room thermostat



**720103001**  
Baxi wired weather sensor



**720056901**  
Multifit GasSaver GS1

# Technical specifications

HOW WE MAKE IT EASY

Pre-plumbing jig for quick and simple installation.



## Boiler dimensions

Width [A]	Height [B]	Depth [C]
450mm	780mm	345mm

## Service clearances

Side [D]	Upper [E]	Lower [F]	Front [G]
5mm*	200mm* (*300mm if using 80/125 flueing system)	150mm*	5mm in operation,* (*450mm for servicing purposes)

\*These are the minimum recommended dimensions. Greater clearance will aid installation and maintenance.



## What's in the box?



Platinum Combi boiler



Pre-plumbing jig



Fitting instructions, template, user instructions, warranty



Filling loop



Copper pipe tails

# Technical details

<b>Baxi Platinum Combi ErP</b>		<b>24 Combi</b>	<b>28 Combi</b>	<b>33 Combi</b>	<b>40 Combi</b>
Sales code	Boiler only	7219449	7219450	7219451	7219452
<b>Controls and accessories</b>					
Concealed user controls		✓	✓	✓	✓
On/off switch with reset		✓	✓	✓	✓
User adjustable DHW temperature		✓	✓	✓	✓
User adjustable CH temperature		✓	✓	✓	✓
LED temp/status/fault diagnosis display		2 digits/3 LEDs	2 digits/3 LEDs	2 digits/3 LEDs	2 digits/3 LEDs
Integral 24 hour electro-mechanical timer		Fitted as standard	Fitted as standard	Fitted as standard	Fitted as standard
Baxi IFOS (7683084)		Optional	Optional	Optional	Optional
Baxi Easy-Fill (7665482)		Optional	Optional	Optional	Optional
<b>Gas</b>					
Gas supply pipe size	mm	22	22	22	22
Natural gas		✓	✓	✓	✓
Nominal inlet supply pressure	mbar	20	20	20	20
Maximum gas rate		2.16	3.1	3.6	4.36
Heat input Central Heating (CH)	kW max gross (QnHs)	22.7	27.4	32.1	36.4
	kW min gross (QnHs)	7.8	10.0	10.8	11.0
Heat output CH non condensing	kW max (Pn)	20	24	28	32
	kW min (Pn)	6.8	8.7	9.4	9.6
Heat output CH condensing	kW max (Pnc)	21.0	25.9	30.3	34.4
	kW min (Pnc)	7.4	9.5	10.2	12.1
Heat input domestic hot water (DHW)	kW max gross (QnWHs)	27.4	32.1	37.7	45.7
Heat output domestic hot water	kW max (Pn)	24	28	33	40
Maximum domestic hot water flow rate	l/min @ 35°C rise	9.8	11.5	13.5	16.4
Boiler Plus ErP	%	92.0	92.0	92.0	92.0
SAP 2009 Annual Efficiency (PCDB/SEDBUK)	%	89.0	89.0	88.9	88.9
NOx class		5	5	5	5
<b>ErP Product Information</b>					
NOx	mg/kWh	20	23	20	23
Sound power level, indoors	LWA dB	50	53	52	50
Space heating efficiency class		A	A	A	A
Water heating declared load profile		XL	XL	XL	XL
Water heating efficiency class		A	A	A	A
<b>Electrical</b>					
Electrical supply	Volts/Hz	230V/50Hz	230V/50Hz	230V/50Hz	230V/50Hz
Permanent live required		✓	✓	✓	✓
Fitted electrical cable				1m x 3 core x 0.75mm <sup>2</sup> on all models	
Power consumption	Watts	85	120	125	125
External fuse rating	Amps	3	3	3	3
Internal fuse rating	Amps	F2L	F2L	F2L	F2L
Ingress protection rating (without electro-mechanical timer fitted)		IPX 5D	IPX 5D	IPX 5D	IPX 5D
24 hour pump exercise		✓	✓	✓	✓
Pump overrun		✓	✓	✓	✓
Integral 'boiler only' frost thermostat		✓	✓	✓	✓
<b>Mechanical and hydraulic</b>					
Compartment ventilation requirement		None	None	None	None
Pre-plumbing/wall mounting jig		✓	✓	✓	✓
Flow and return pipe size	mm	22	22	22	22
Condensate discharge pipe size	mm	21.5	21.5	21.5	21.5
Integral automatic bypass		✓	✓	✓	✓
Min domestic hot water flow rate	l/min	2	2	2	2
Min domestic hot water operating pressure	bar	0.15	0.15	0.15	0.15
Maximum DHW system pressure	bar	8	8	8	8
Safety discharge pressure	bar	3	3	3	3
Integral expansion vessel capacity	litres	8	8	10	10
Max capacity of central heating system	litres	125	125	125	125
Temporary filling loop included		✓	✓	✓	✓
CH system inhibitor required		✓	✓	✓	✓
<b>Concentric flue system</b>					
Standard telescopic horizontal flue kit length	mm	315 - 500	315 - 500	315 - 500	315 - 500
Max equiv length horizontal/vertical (60/100mm)	m	10	10	10	10
Max equiv length horizontal/vertical (80/125mm)	m	20	20	20	20
Equivalent length per 135° bend	m	0.5	0.5	0.5	0.5
Equivalent length per 93° bend	m	1	1	1	1
<b>Twin pipe flue system</b>					
Diameters	mm	80/80	80/80	80/80	80/80
Max equiv length horizontal/vertical (parallel pipes)	m	15/15	15/15	15/15	15/15
Equivalent length per 135° bend	m	0.25	0.25	0.25	0.25
Equivalent length per 91.5° Bend	m	0.5	0.5	0.5	0.5
<b>Weights</b>					
Installer lift weight (boiler) (max)	kg	40.2	40.2	41.7	42.2
Gross packaged boiler weight	kg	46	46	47.5	48



# What's inside the boiler?

## Baxi Platinum Combi



HOW WE MAKE IT EASY

**An industry-leading  
choice of flues.**

# Flues

## Horizontal concentric flues Ø 60/100mm

### Multifit flue group A

Item description	Colour	Specification	Key and OD dimensions	Sales code
1 Horizontal telescopic flue inc. low profile elbow and fixing screws	White pipe/white terminal	315mm - 500mm	100mm	720599401
2 Horizontal telescopic flue inc. low profile elbow and fixing screws	White pipe/black terminal	315mm - 500mm	100mm	720598701
3 1m flue extension inc. fixing screws	White	1000mm	100mm	720648801
4 93° flue bend inc. fixing screws	White	93°	100mm	720648401
5 135° flue bend inc. fixing screws (pair)	White	135°	100mm	720647901
6 Standard horizontal flue inc. low profile elbow and fixing screws	White pipe/black terminal	685mm	100mm	7222019

## Plume displacement kits Ø 60/100mm

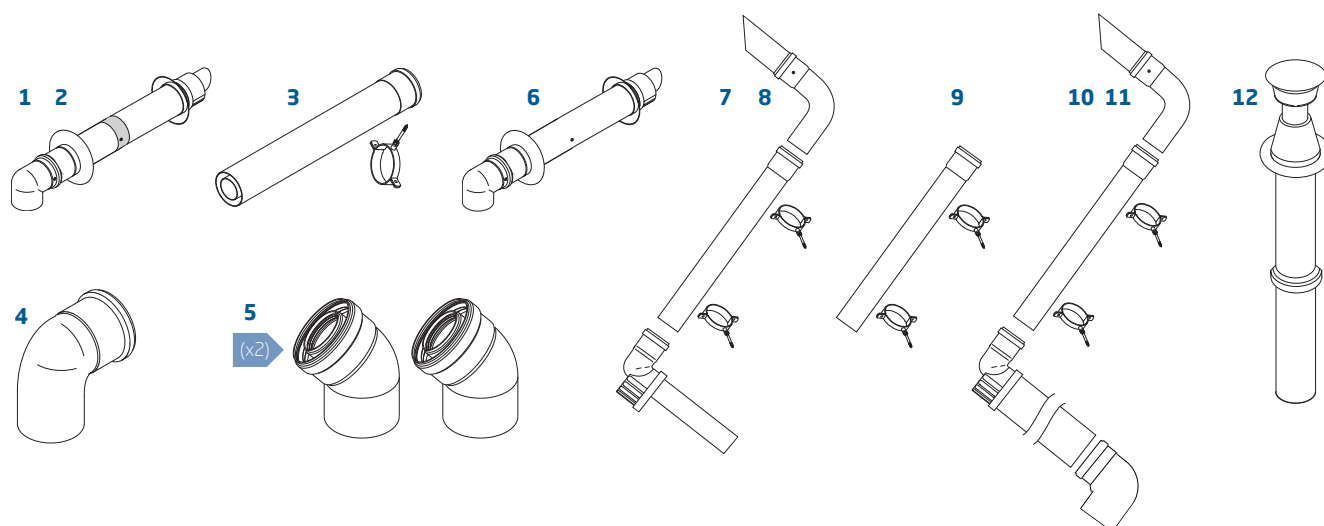
### Multifit flue group A

Item description	Colour	Specification	Key and OD dimensions	Sales code
7 Plume displacement terminal kit for telescopic flue inc 1m extension and brackets	White		60mm	720627001
8 Plume displacement terminal kit for telescopic flue inc 1m extension and brackets	Black		60mm	720622901
9 Plume displacement kit extension and brackets	White	1000mm	60mm	720643401
10 Plume displacement terminal kit inc. 1m extension and brackets	White		60mm	7225717
11 Plume displacement terminal kit inc. 1m extension and brackets	Black		60mm	7225716

## Vertical concentric flues Ø 60/100mm

### Multifit flue group A

Item description	Colour	Specification	Key and OD dimensions	Sales code
12 Vertical flue terminal	Black		100mm	5118576
3 1m flue extension inc. fixing screws	White	1000mm	100mm	720648801
4 93° flue bend inc. fixing screws	White	93°	100mm	720648401
5 135° flue bend inc. fixing screws (pair)	White	135°	100mm	720647901





## Key features

---

Outputs: 24kW, 28kW, 33kW, 40kW

---

Pre-plumbing jig, with built-in filling loop

---

Built-in frost thermostat

---

Class leading flow rate (up to 16.4 litres per minute) at 35°C rise

---

Dedicated 28kW LPG model

---

Telescopic horizontal flue available

---

Compatible with Multifit flue kits

---

## Benefits

---

To suit most property sizes

---

Easy to install and maintain

---

Suitable for siting in garages and lofts

---

Perfect for homes with more than one bathroom

---

Suitable for homes without mains gas

---

Quick and easy to fit

---

Industry-leading choice of lengths, bends, accessories

---

\* Subject to registration and an annual service. Terms and conditions apply. Visit [baxi.co.uk/warranty](http://baxi.co.uk/warranty)





*I regularly specify the Duo-tec boiler. It is easy for my customers to use with its clear display and large symbols. It has always been extremely reliable and the seven year warranty is brilliant.*

**Mark Webley**  
Webley Heating

# Baxi Duo-tec Combi

Our best selling Baxi Duo-tec Combi has a pre-plumbing jig, complete with preformed copper pipe tails, built-in filling loop and one metre mains cable, making it quick and easy to install.

## Accessories

The following accessories are compatible with the Baxi Duo-tec Combi.



**7683084**  
Baxi IFOS (In Flue Outdoor Sensor)



**247206**  
Baxi electro-mechanical 24 hour timer kit



**720056901**  
Multifit GasSaver GS1



**720971601**  
Baxi room thermostat



**7604081**  
Baxi qSense digital room thermostat



**5117391**  
Baxi programmable 24 hour wireless sensor



**720030507**  
Baxi seven day programmable room thermostat



**720103001**  
Baxi wired weather sensor



**7665482**  
Easy-Fill permanent filling link

# Technical specifications

HOW WE MAKE IT EASY

Pre-plumbing jig for quick and simple installation.



## Boiler dimensions

Width [A]	Height [B]	Depth [C]
450mm	780mm	345mm

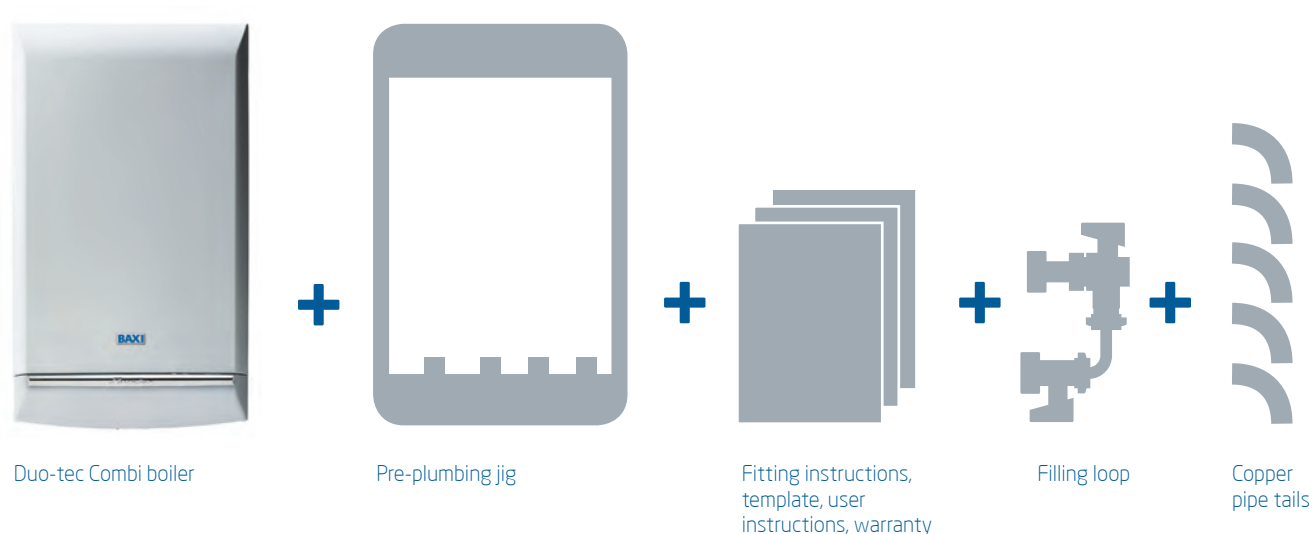
## Service clearances

Side [D]	Upper [E]	Lower [F]	Front [G]
5mm*	200mm* (*300mm if using 80/125 flueing system)	150mm*	5mm in operation* (*450mm for servicing purposes)

\*These are the minimum recommended dimensions. Greater clearance will aid installation and maintenance.



## What's in the box?



# Technical details

## Baxi Duo-tec Combi ErP

		24 Combi	28 Combi	33 Combi	40 Combi	28 Combi LPG
Sales Code	Boiler only	7219413	7219414	7219415	7219416	7219417
<b>Controls and accessories</b>						
Concealed user controls		✓	✓	✓	✓	✓
On/off switch with reset		✓	✓	✓	✓	✓
User adjustable DHW temperature		✓	✓	✓	✓	✓
User adjustable CH temperature		✓	✓	✓	✓	✓
LED temp/status/fault diagnosis display		2 digits/3 LEDs	2 digits/3 LEDs	2 digits/3 LEDs	2 digits/3 LEDs	2 digits/3 LEDs
Baxi IFOS (7683084)		Optional	Optional	Optional	Optional	Optional
Baxi Easy-Fill (7665482)		Optional	Optional	Optional	Optional	Optional
<b>Gas</b>						
Gas supply pipe size	mm	22	22	22	22	22
Natural gas		✓	✓	✓	✓	N/A
LPG (propane)		N/A	N/A	N/A	N/A	3
Nominal inlet supply pressure NG	mbar	20	20	20	20	N/A
Nominal inlet supply pressure LPG	mbar	N/A	N/A	N/A	N/A	37
Maximum gas rate	m <sup>3</sup> /hr	2.61	3.1	3.6	4.36	2.25
Heat input central heating	kW max gross (QnHs)	22.7	27.4	32.1	36.4	27.4
	kW min gross (QnHs)	7.8	10	10.8	11.0	10
Heat output CH non condensing	kW max (Pn)	20	24	28	32	24
	kW min (Pn)	6.8	8.7	9.4	9.6	8.7
Heat output CH condensing	kW max (Pnc)	21.0	25.9	30.3	34.4	25.9
	kW min (Pnc)	7.4	9.5	10.2	12.1	9.5
Heat input domestic hot water (DHW)	kW max gross (QnHs)	27.4	32.1	37.7	45.7	32.1
Heat output domestic hot water	kW max (Pn)	24	28	33	40	28
Maximum domestic hot water flow rate	l/min @ 35°C rise	9.8	11.5	13.5	16.4	11.5
Boiler Plus ErP	%	92.0	92.0	92.0	92.0	92.0
SAP 2009 annual efficiency (PCDB/SEDBUK)	%	89.0	89.0	88.9	88.9	90.6
NOx Class		5	5	5	5	5
<b>ErP Product Information</b>						
NOx	mg/kWh	20	23	20	23	23
Sound power level, indoors	LWA dB	50	53	52	50	53
Space heating efficiency class		A	A	A	A	A
Water heating declared load profile		XL	XL	XL	XL	XL
Water heating efficiency class		A	A	A	A	A
<b>Electrical</b>						
Electrical supply	Volts/Hz	230V/50Hz	230V/50Hz	230V/50Hz	230V/50Hz	230V/50Hz
Permanent live required		✓	✓	✓	✓	✓
Fitted electrical cable		1m x 3 core x 0.75mm <sup>2</sup> on all models				
Power consumption	Watts	85	120	125	125	120
External fuse rating	Amps	3	3	3	3	3
Internal fuse rating	Amps	F2L	F2L	F2L	F2L	F2L
Ingress protection rating (without electro-mechanical timer fitted)		IPX 5D	IPX 5D	IPX 5D	IPX 5D	IPX 5D
24 hour pump exercise		✓	✓	✓	✓	✓
Pump overrun		✓	✓	✓	✓	✓
Integral 'boiler only' frost thermostat		✓	✓	✓	✓	✓
<b>Mechanical and hydraulic</b>						
Compartment ventilation requirement		None	None	None	None	None
Pre-plumbing/wall mounting jig		✓	✓	✓	✓	✓
Flow and return pipe size	mm	22	22	22	22	22
Condensate discharge pipe size	mm	21.5	21.5	21.5	21.5	21.5
Integral automatic bypass		✓	✓	✓	✓	✓
Min domestic hot water flow rate	l/min	2	2	2	2	2
Min domestic hot water operating pressure	bar	0.15	0.15	0.15	0.15	0.15
Maximum DHW system pressure	bar	8	8	8	8	8
Safety discharge pressure	bar	3	3	3	3	3
Integral expansion vessel capacity	litres	8	8	10	10	8
Max capacity of central heating system	litres	125	125	155	155	125
Filling loop included		✓	✓	✓	✓	✓
CH system inhibitor required		✓	✓	✓	✓	✓
<b>Concentric Flue System</b>						
Standard telescopic horizontal flue kit length	mm	315 - 500	315 - 500	315 - 500	315 - 500	315 - 500
Max equiv length horizontal/vertical (60/100mm)	m	10	10	10	10	10
Max equiv length horizontal/vertical (80/125mm)	m	20	20	20	20	20
Equivalent length per 135° bend	m	0.5	0.5	0.5	0.5	0.5
Equivalent length per 93° bend	m	1	1	1	1	1
<b>Twin pipe flue system</b>						
Diameters	mm	80/80	80/80	80/80	80/80	80/80
Max equiv length horizontal/vertical (parallel pipes)	m	15/15	15/15	15/15	15/15	15/15
Equivalent length per 135° bend	m	0.25	0.25	0.25	0.25	0.25
Equivalent length per 91.5° Bend	m	0.5	0.5	0.5	0.5	0.5
<b>Weights</b>						
Installer lift weight (boiler) (max)	kg	40.2	40.2	41.7	42.2	40.2
Gross packaged boiler weight	kg	46	46	47.5	48	46



# Flues

## Horizontal concentric flues Ø 60/100mm

### Multifit flue group A

Item description	Colour	Specification	Key and OD dimensions	Sales code
1 Horizontal telescopic flue inc. low profile elbow and fixing screws	White pipe/white terminal	315mm - 500mm	100mm	720599401
2 Horizontal telescopic flue inc. low profile elbow and fixing screws	White pipe/black terminal	315mm - 500mm	100mm	720598701
3 1m flue extension inc. fixing screws	White	1000mm	100mm	720648801
4 93° flue bend inc. fixing screws	White	93°	100mm	720648401
5 135° flue bend inc. fixing screws (pair)	White	135°	100mm	720647901
6 Standard horizontal flue inc. low profile elbow and fixing screws	White pipe/black terminal	685mm	100mm	7222019

## Plume displacement kits Ø 60/100mm

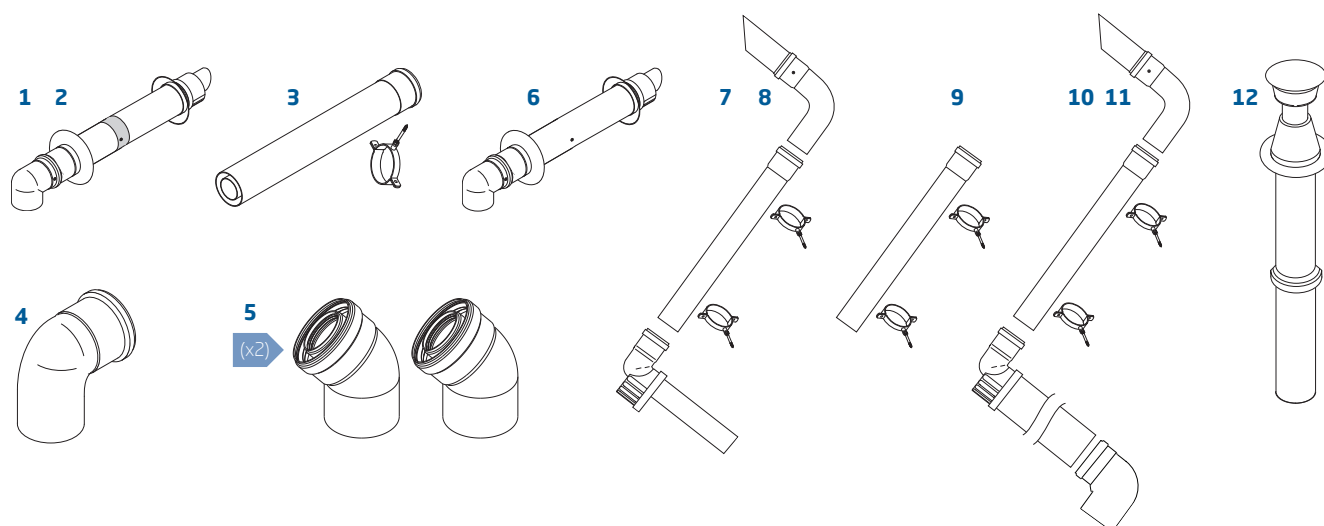
### Multifit flue group A

Item description	Colour	Specification	Key and OD dimensions	Sales code
7 Plume displacement terminal kit for telescopic flue inc 1m extension and brackets	White		60mm	720627001
8 Plume displacement terminal kit for telescopic flue inc 1m extension and brackets	Black		60mm	720622901
9 Plume displacement kit extension and brackets	White	1000mm	60mm	720643401
10 Plume displacement terminal kit inc. 1m extension and brackets	White		60mm	7225717
11 Plume displacement terminal kit inc. 1m extension and brackets	Black		60mm	7225716

## Vertical concentric flues Ø 60/100mm

### Multifit flue group A

Item description	Colour	Specification	Key and OD dimensions	Sales code
12 Vertical flue terminal	Black		100mm	5118576
3 1m flue extension inc. fixing screws	White	1000mm	100mm	720648801
4 93° flue bend inc. fixing screws	White	93°	100mm	720648401
5 135° flue bend inc. fixing screws (pair)	White	135°	100mm	720647901







## Key features

Outputs: 15kw, 18kw, 24kw, 28kw, 32kw

Pre-plumbing jig, with built-in filling loop

Built-in frost thermostat

Integral automatic bypass

Compatible with Multifit flue kits

Compatible with the market-leading Megaflo cylinders

Suitable for use with Baxi Solarflo solar thermal

## Benefits

To suit most property sizes

Easy to install and maintain

Suitable for siting in garages and lofts

Suitable for systems with TVRs on every radiator

Industry-leading choice of lengths, bends, accessories

Made by our sister company Heatrae Sadia

Hot water from solar energy reduces energy bills

\* Subject to registration and an annual service. Terms and conditions apply. Visit [baxi.co.uk/warranty](http://baxi.co.uk/warranty)



*I regularly install the Megaflo boiler.  
It is a great boiler, easy to work on  
and good value for money.*

**Jack Sowden**  
Royston Engineering

# Baxi Megaflo System

Designed for fully pumped sealed systems, the Baxi Megaflo System can be installed with an unvented cylinder. It will satisfy the hot water and heating requirements of most homes, including larger properties with more than one bathroom.

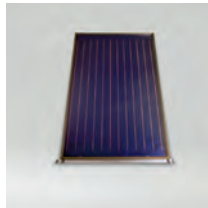
## Accessories

---

The following accessories are compatible with the Baxi Megaflo System



**95050460**  
Megaflo Eco  
unvented cylinder



**720670401**  
Baxi Solarflo



**7212443**  
Baxi twin channel  
wired programmer

# Technical specifications

HOW WE MAKE IT EASY

Front access to all components makes servicing simple.



## Boiler dimensions

Width [A]	Height [B]	Depth [C]
450mm	780mm	345mm

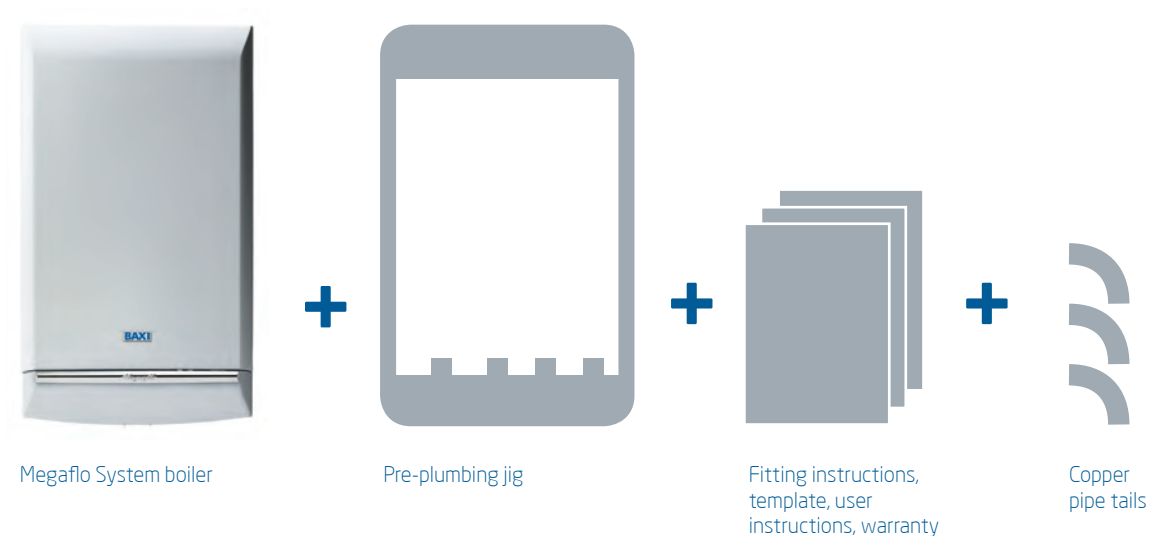
## Service clearances

Side [D]	Upper [E]	Lower [F]	Front [G]
5mm*	200mm* (*300mm if using 80/125 flueing system)	150mm*	5mm in operation* (*450mm for servicing purposes)

\*These are the minimum recommended dimensions. Greater clearance will aid installation and maintenance.



## What's in the box?





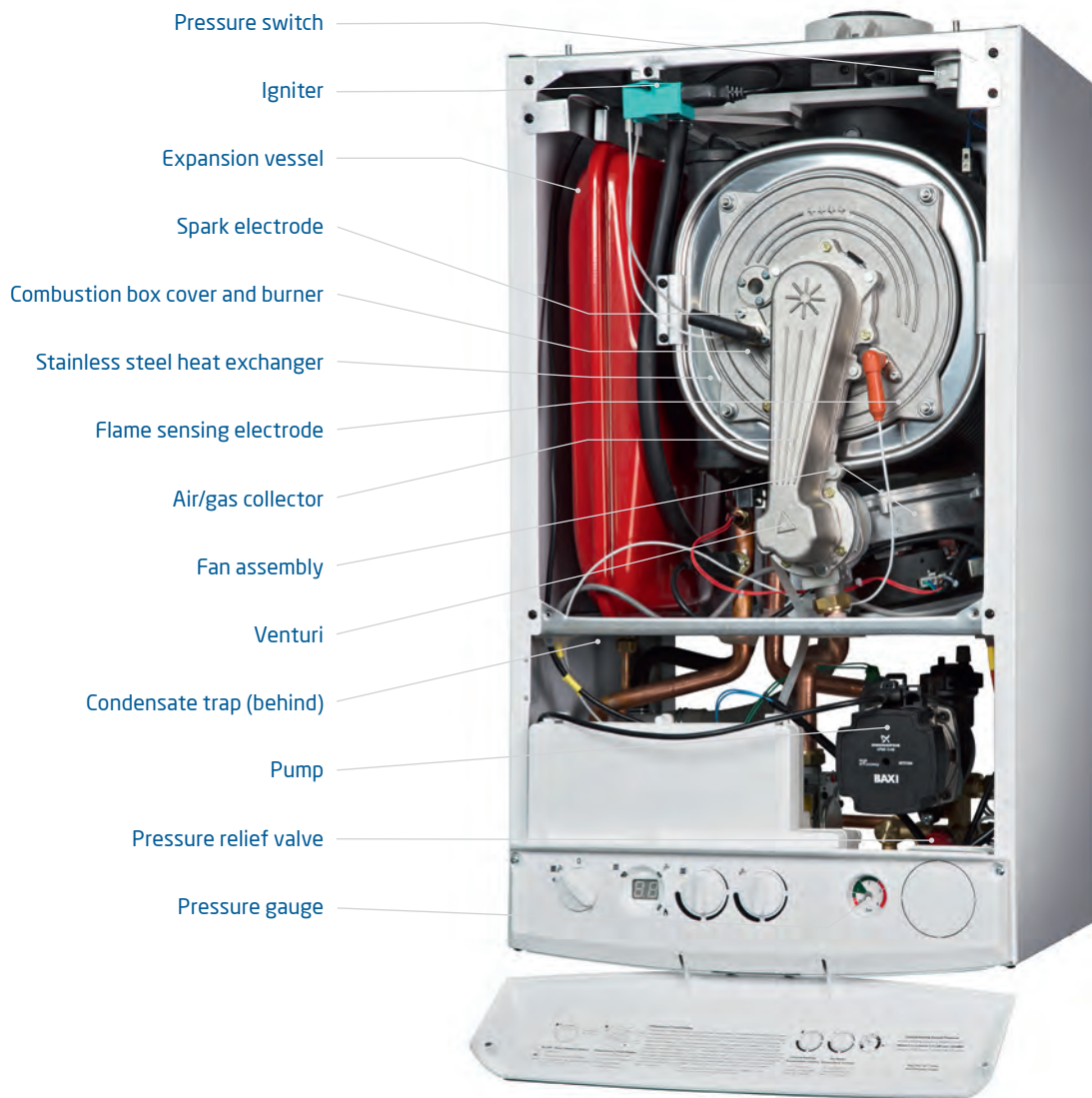
# Technical details

## Baxi Megaflo System ErP

		15 System	18 System	24 System	28 System	32 System
Sales code	Boiler only	7219444	7219445	7219446	7219447	7219448
<b>Controls</b>						
Concealed user controls		✓	✓	✓	✓	✓
On/off switch with reset		✓	✓	✓	✓	✓
User adjustable CH temperature		✓	✓	✓	✓	✓
LED temp/status/fault diagnosis display		2 digits/3 LEDs on all models				
<b>Gas</b>						
Gas supply pipe size	mm	22	22	22	22	22
Natural gas		✓	✓	✓	✓	✓
Nominal inlet supply pressure	mbar	20	20	20	20	20
Maximum gas rate NG	m <sup>3</sup> /hr	1.69	1.95	2.61	3.1	3.48
Heat input central heating	kW max gross (QnHs)	17.1	20.5	27.4	32.1	36.4
	kW min gross (QnHs)	4.4	4.8	7.8	10.8	10.8
Heat output CH non condensing	kW max (Pn)	15	18	24	28	32
	kW min (Pn)	3.9	4.2	6.8	9.4	9.4
Heat output CH condensing	kW max (Pnc)	16.2	19.4	25.9	30.3	34.4
	kW min (Pnc)	4.2	4.5	7.4	10.2	10.2
Boiler Plus ErP	%	92.0	92.0	92.0	92.0	92.0
SAP 2009 Annual Efficiency (PCDB/SEDBUK)	%	88.6	88.6	88.6	88.5	88.5
NOx class		5	5	5	5	5
<b>ErP Product Information</b>						
NOx	mg/kWh	25	29	20	20	24
Sound power level, indoors	LWA dB	52	53	58	53	54
Space heating efficiency class		A	A	A	A	A
<b>Electrical</b>						
Electrical supply	Volts/Hz	230V/50Hz	230V/50Hz	230V/50Hz	230V/50Hz	230V/50Hz
Permanent live required		✓	✓	✓	✓	✓
Fitted electrical cable		1m x 3 core x 0.75mm <sup>2</sup> on all models				
Power consumption	Watts	130	140	150	160	160
External fuse rating	Amps	3	3	3	3	3
Internal fuse rating	Amps	F2L	F2L	F2L	F2L	F2L
Ingress protection rating (without electro-mechanical timer fitted)		IPX 5D	IPX 5D	IPX 5D	IPX 5D	IPX 5D
24 hour pump exercise		✓	✓	✓	✓	✓
Pump overrun		✓	✓	✓	✓	✓
Integral 'boiler only' frost thermostat		✓	✓	✓	✓	✓
<b>Mechanical and hydraulic</b>						
Compartment ventilation requirement		None	None	None	None	None
Pre-plumbing/wall mounting jig		✓	✓	✓	✓	✓
Flow and return pipe size	mm	22	22	22	22	22
Condensate discharge pipe size	mm	21.5	21.5	21.5	21.5	21.5
Integral automatic bypass		✓	✓	✓	✓	✓
Safety discharge pressure	bar	3	3	3	3	3
Integral expansion vessel	litres	8	8	8	10	10
Max capacity of central heating system	litres	125	125	125	125	125
CH system inhibitor required		✓	✓	✓	✓	✓
<b>Concentric Flue System</b>						
Standard telescopic horizontal flue kit length	mm	315 - 500	315 - 500	315 - 500	315 - 500	315 - 500
Max equiv length horizontal/vertical (60/100mm)	m	10	10	10	10	10
Max equiv length horizontal/vertical (80/125mm)	m	20	20	20	20	20
Equivalent length per 135° bend	m	0.5	0.5	0.5	0.5	0.5
Equivalent length per 93° bend	m	1	1	1	1	1
<b>Twin pipe flue system</b>						
Diameters	mm	80/80	80/80	80/80	80/80	80/80
Max equiv length horizontal/vertical (parallel pipes)	m	15/15	15/15	15/15	15/15	15/15
Equivalent length per 135° bend	m	0.25	0.25	0.25	0.25	0.25
Equivalent length per 91.5° Bend	m	0.5	0.5	0.5	0.5	0.5
<b>Weights</b>						
Installer lift weight (boiler) (max)	kg	36.4	36.4	37.9	37.9	38.4
Gross packaged boiler weight	kg	41.5	41.5	43	43	43.5

# What's inside the boiler?

## Baxi Megaflo System



HOW WE MAKE IT EASY

Telescopic horizontal flue option is quick and easy to fit.

# Flues

## Horizontal concentric flues Ø 60/100mm

### Multifit flue group A

Item description	Colour	Specification	Key and OD dimensions	Sales code
1 Horizontal telescopic flue inc. low profile elbow and fixing screws	White pipe/white terminal	315mm - 500mm	100mm	720599401
2 Horizontal telescopic flue inc. low profile elbow and fixing screws	White pipe/black terminal	315mm - 500mm	100mm	720598701
3 1m flue extension inc. fixing screws	White	1000mm	100mm	720648801
4 93° flue bend inc. fixing screws	White	93°	100mm	720648401
5 135° flue bend inc. fixing screws (pair)	White	135°	100mm	720647901
6 Standard horizontal flue inc. low profile elbow and fixing screws	White pipe/black terminal	685mm	100mm	7222019

## Plume displacement kits Ø 60/100mm

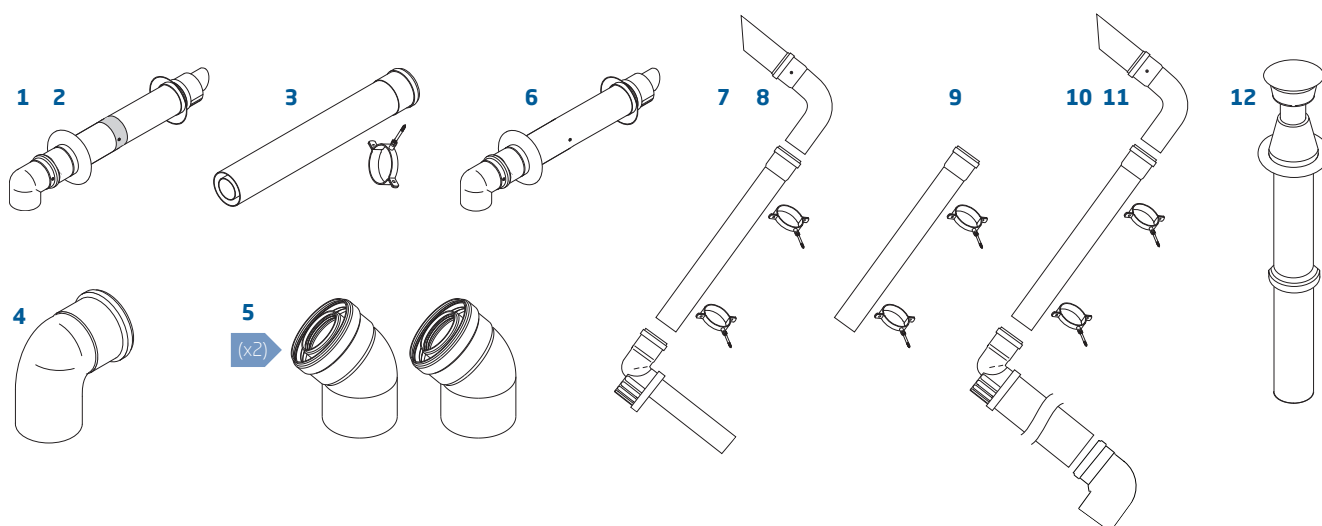
### Multifit flue group A

Item description	Colour	Specification	Key and OD dimensions	Sales code
7 Plume displacement terminal kit for telescopic flue inc 1m extension and brackets	White		60mm	720627001
8 Plume displacement terminal kit for telescopic flue inc 1m extension and brackets	Black		60mm	720622901
9 Plume displacement kit extension and brackets	White	1000mm	60mm	720643401
10 Plume displacement terminal kit inc. 1m extension and brackets	White		60mm	7225717
11 Plume displacement terminal kit inc. 1m extension and brackets	Black		60mm	7225716

## Vertical concentric flues Ø 60/100mm

### Multifit flue group A

Item description	Colour	Specification	Key and OD dimensions	Sales code
12 Vertical flue terminal	Black		100mm	5118576
3 1m flue extension inc. fixing screws	White	1000mm	100mm	720648801
4 93° flue bend inc. fixing screws	White	93°	100mm	720648401
5 135° flue bend inc. fixing screws (pair)	White	135°	100mm	720647901



# Flue solutions

Multifit flue kits now come with positive screw fixings for all connections and are available in a choice of lengths to reduce the need for onsite cutting. By popular demand we offer a choice of colours for the terminals to match existing rainwater systems.

	Flue type	Group A	Group G	Group H
Maximum permissible equivalent flue lengths for Baxi combi, system boilers are:	Horizontal concentric	10m	20m	
	Vertical concentric	10m	20m	
	Horizontal twin pipe			15m
	Vertical twin pipe			15m
Maximum permissible equivalent flue lengths for Baxi heat only boilers are:	Horizontal concentric	6m	12m	
	Vertical concentric	6m	12m	
	Horizontal twin pipe			9m
	Vertical twin pipe			9m
Where inline bends are required in a flue system, the overall length must be reduced by the following amounts:	Concentric pipes	135° bend	0.5m	
		93° bend	1m	
	Twin flue pipe	135° bend		0.25m
		91.5° bend		0.50m

## Horizontal concentric flues Ø 60/100mm

### Multifit Flue Group A

Item	Description (multifit) flue system	Colour	Specification	Key and OD dimensions	Sales code
1	Horizontal telescopic flue inc. low profile elbow and fixing screws	White pipe/ white terminal	315mm - 500mm	60/100mm	720599401
2	Horizontal telescopic flue inc. low profile elbow and fixing screws	White pipe/ black terminal	315mm - 500mm	60/100mm	720598701
3	Horizontal telescopic flue inc. low profile elbow and fixing screws	White pipe/ brown terminal	315mm - 500mm	60/100mm	720642701
4	Standard horizontal flue inc. low profile elbow and fixing screws*	White pipe/ black terminal	685mm	100mm	7222019
5	Flue terminal deflector	White		60mm	720644201
6	Flue terminal deflector	Black		60mm	5111068
7	Flue terminal deflector	Brown		60mm	720644301
8	1m flue extension inc. fixing screws	White	1000mm	100mm	720648801
9	0.5m flue extension inc. fixing screws	White	500mm	100mm	720643001
10	0.25m flue extension inc. fixing screws	White	250mm	100mm	720643101
11	93° flue bend inc. fixing screws	White	93°	100mm	720648401
12	135° flue bend inc. fixing screws	White	135°	100mm	720648501
13	135° flue bend inc. fixing screws (pair)	White	135°	100mm	720647901
14	Offset adaptor elbow	White	EcoBlue Advance Combi and Ecoblue 32 System only	100mm	720635501
15	Stainless steel terminal guard - Ø 60/100	S/S	Stainless steel	100mm	720627901

## Plume displacement kits Ø 60/100mm

### Multifit Flue Group A

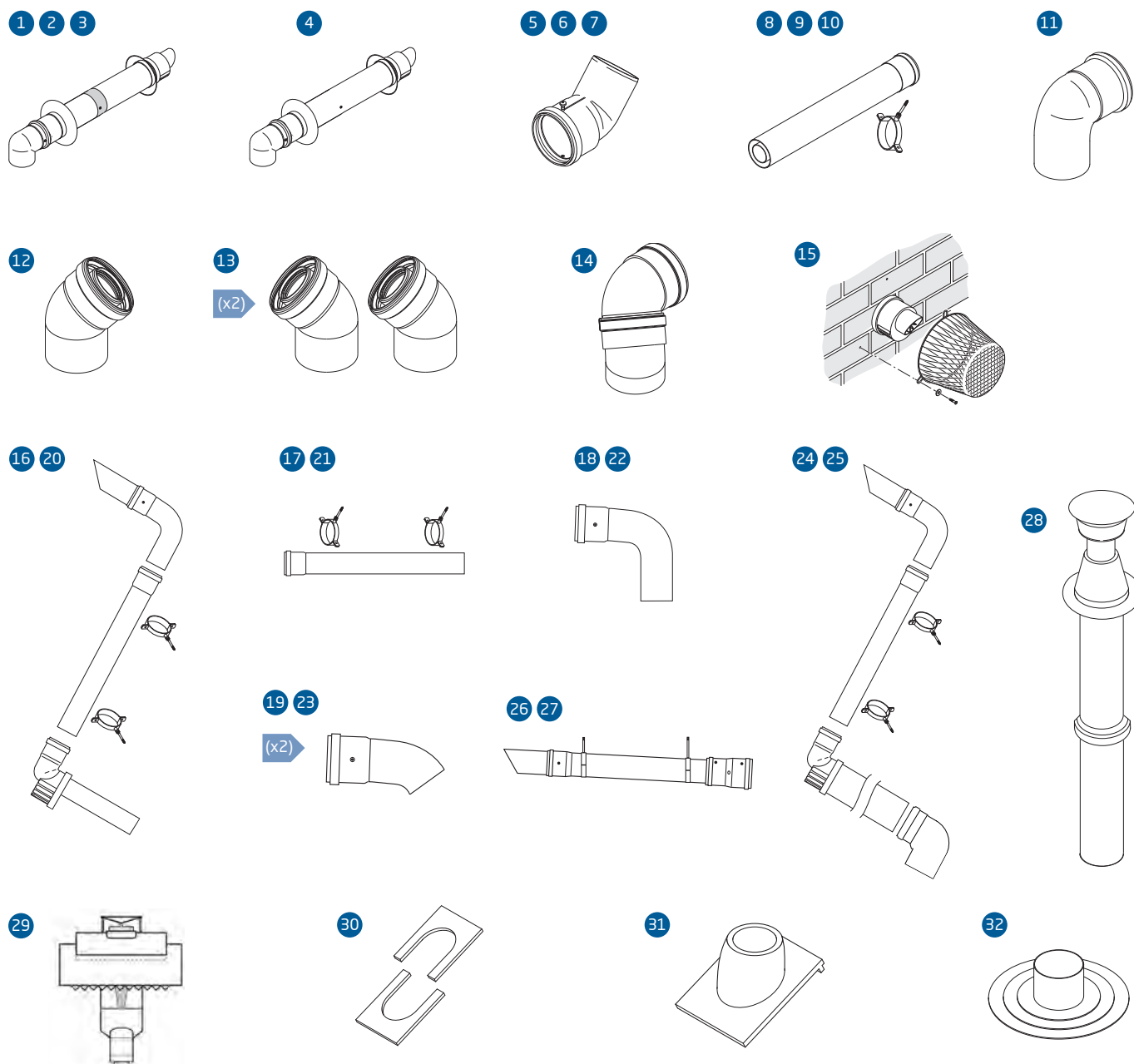
Item	Description (multifit) flue system	Colour	Specification	Key and OD dimensions	Sales code
16	Plume displacement terminal kit for telescopic flue inc. 1m extension and brackets	White		60mm	720627001
17	Plume displacement kit extension and brackets	White	1000mm	60mm	720643401
18	Plume displacement kit bend	White	93°	60mm	5121369
19	Plume displacement kit bend - pair	White	135°	60mm	5121370
20	Plume displacement terminal kit for telescopic flue inc. 1m extension and brackets	Black		60mm	720622901
21	Plume displacement kit extension and brackets	Black	1000mm	60mm	720643301
22	Plume displacement kit bend	Black	93°	60mm	720648701
23	Plume displacement kit bend - pair	Black	135°	60mm	720648601
24	Plume displacement terminal kit inc. 1m extension and brackets	White		60mm	7225717
25	Plume displacement terminal kit inc. 1m extension and brackets	Black		60mm	7225716

\*Not compatible with items 16 and 20

# Vertical concentric flues Ø 60/100mm

## Multifit Flue Group A

Item	Description (multifit) flue system	Colour	Specification	Key and OD dimensions	Sales code
26	Under balcony eaves flue kit	White	135°	60mm	7211039
27	Under balcony eaves flue kit	Black	135°	60mm	7211041
28	Vertical flue terminal	Black		100mm	5118576
29	Vertical ridge flue terminal	Brown		100mm	720647101
30	Roof cover plate			125mm	246143
8	1m flue extension inc. fixing screws	White	1000mm	100mm	720648801
9	0.5m flue extension inc. fixing screws	White	500mm	100mm	720643001
10	0.25m flue extension inc. fixing screws	White	250mm	100mm	720643101
11	93° flue bend inc. fixing screws	White	93°	100mm	720648401
12	135° flue bend inc. fixing screws	White	135°	100mm	720648501
13	135° flue bend (pair) inc. fixing screws	White	135°	100mm	720647901
31	Pitched roof flashing		25°/50°	125mm	5122151
32	Flat roof flashing			125mm	246144



# Flue solutions

## Horizontal concentric flues Ø 80/125mm

### Multifit Flue Group G

Item	Description (multifit) flue system	Colour	Specification	Key and OD dimensions	Sales code
33	Horizontal flue inc. boiler and terminal adaptors	Black		125mm	5118580
34	1m flue extension	White	1000mm	125mm	5118584
35	Flue bend	White	91.5°	125mm	5118588
36	Flue bend (pair)	White	135°	125mm	5118597
37	Pipe support bracket	White	125mm flue pipes	125mm	5118610

## Vertical concentric flues Ø 80/125mm

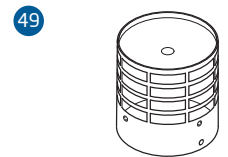
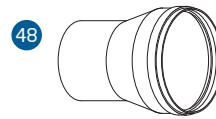
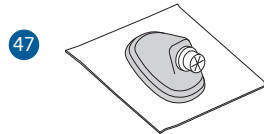
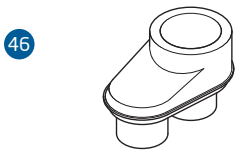
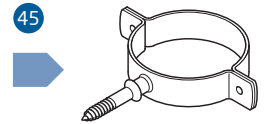
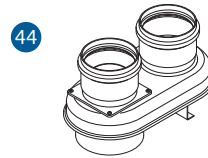
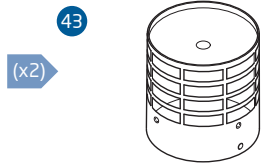
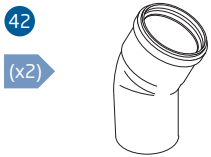
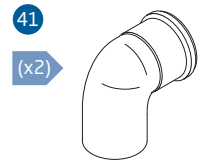
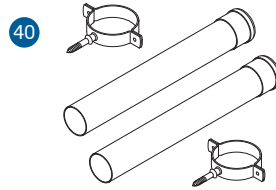
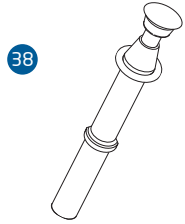
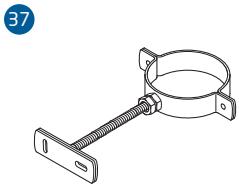
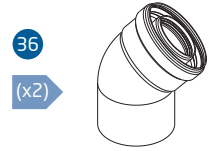
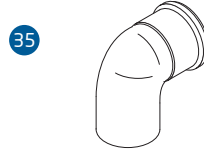
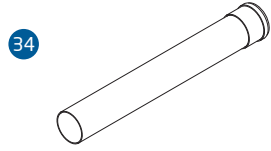
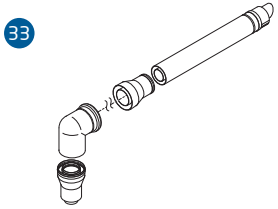
### Multifit Flue Group G

Item	Description (multifit) flue system	Colour	Specification	Key and OD dimensions	Sales code
38	Vertical flue terminal	Black		125mm	5111078
34	1m flue extension	White	1000mm	125mm	5118584
35	Flue bend	White	91.5°	125mm	5118588
36	Flue bend (pair)	White	135°	125mm	5118597
30	Roof cover plate			125mm	246143
39	Flue vertical adaptor	White		100/125mm	5111070
31	Pitched roof flashing		25°/55°	125mm	5122151
33	Flat roof flashing			125mm	246144
36	Pipe support brackets	White	125mm flue pipes	125mm	5118610

## Twin pipe flues 80/80mm

### Multifit Flue Group N

Item	Description (multifit) flue system	Colour	Specification	Key and OD dimensions	Sales code
38	Vertical flue terminal	Black		125mm	5111078
40	Twin pipe extension (pair inc. Brackets)	White	1000mm	80mm	5111087
41	Twin pipe flue bend (pair)	White	90°	80mm	5111072
42	Twin pipe flue bend (pair)	White	135°	80mm	5111086
28	Roof cover plate			125mm	246143
43	Twin pipe flue horizontal terminal kit (air and exhaust)	Stainless steel	575mm	80mm	5120172
44	Twin pipe flue adaptor (boiler)	White		80/80mm	720089801
45	Twin pipe support (pair)	White		80mm	5111081
46	Pitched roof flue terminal	White		80/125mm	5111084
31	Pitched roof flashing		25°/50°	125mm	5122151
32	Flat roof flashing			125mm	246144
47	Pitched roof flue terminal	Black	25°/50°	60mm	720576301
48	Pitched roof terminal adaptor kit	White		60-80mm	5121792
49	Single flue terminal (air only)			80mm	5121791

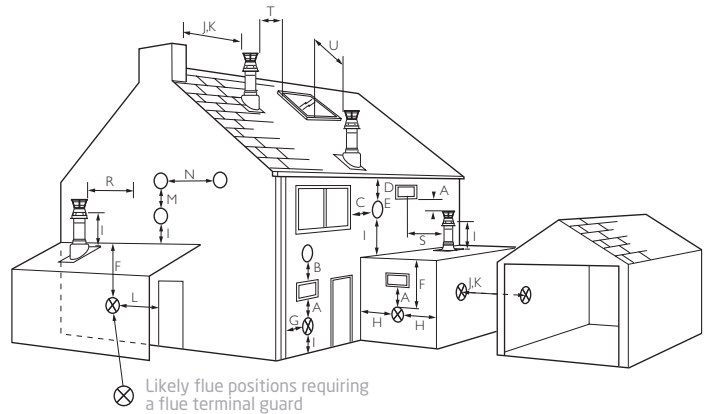


# Flue solutions

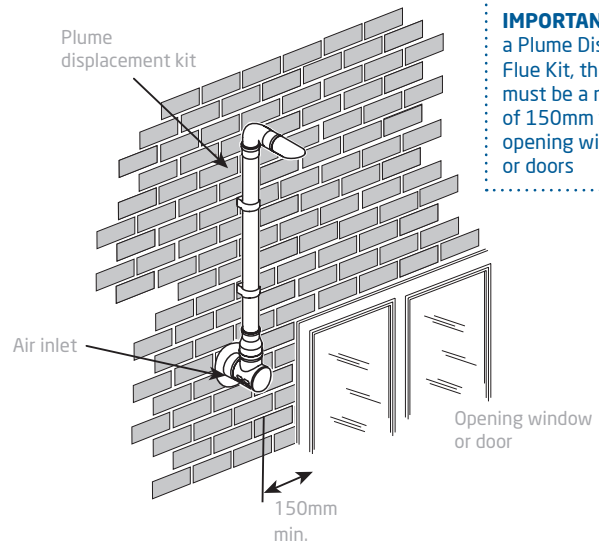
## Terminal position with minimum distance (mm)

A <sup>1</sup>	Directly below an opening, air brick, opening windows etc	300
B <sup>1</sup>	Above an opening, air brick, opening window etc	300
C <sup>1</sup>	Horizontally to an opening, air brick, opening window etc	300
D <sup>2</sup>	Below gutters, soil pipes or drain pipes	25
E <sup>2</sup>	Below eaves	25
F <sup>2</sup>	Below balconies or car port roof	25
G <sup>2</sup>	From a vertical drain pipe or soil pipe	25
H <sup>2</sup>	From an internal or external corner	25
I	Above ground, roof or balcony level	300
J	From a surface or boundary line facing a terminal	600
K	From a terminal facing a terminal (Horizontal flue)	1200
K	From a terminal facing a terminal (Vertical flue)	600
L	From an opening in a carport (e.g. door, window) into the dwelling	1200
M	Vertically from a terminal on the same wall	1500
N	Horizontally from a terminal on the same wall	300
R	From adjacent wall to flue (vertical only)	300
S	From an adjacent opening window (vertical only)	300
T	Adjacent to windows or openings on pitched and flat roofs	600
U	Below windows or openings on pitched roofs	2000

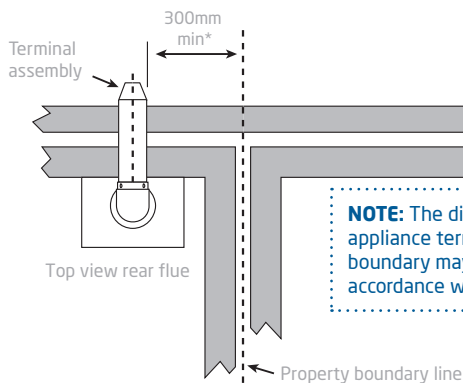
- In addition, the terminal should be no nearer than 150mm to an opening in the building fabric formed for the purpose of accommodating a built-in element such as a window frame.
- Only ONE 25mm clearance is allowed per installation. If one of the dimensions D, E, F, G or H is 25mm then the remainder MUST be as B.S.5440-1.



Plume displacement kit



**IMPORTANT:** If fitting a Plume Displacement Flue Kit, the air inlet must be a minimum of 150mm from any opening windows or doors



**NOTE:** The distance from a fanned draught appliance terminal installed parallel to a boundary may not be less than 300mm in accordance with the diagram.

All descriptions and illustrations provided in this document have been carefully prepared but we reserve the right to make changes and improvements in our products which may affect the accuracy of the information contained in this leaflet. All goods are sold subject to our standard Conditions of Sale which are available on request.



# Combi specification matrix



	Baxi 600 Combi	Baxi Duo-tec Combi	Baxi Platinum Combi
Outputs kW	24, 30	24, 28, 33, 40	24, 28, 33, 40
Flow rate (@35°C rise)	9.8, 12.3	9.8, 11.5, 13.4, 16.4	9.8, 11.4, 13.5, 16.4
Installer lift weight kg	29	40.2 to 42.2	40.2 to 42.2
Heat exchanger	Stainless Steel	Stainless Steel	Stainless Steel
Hydraulics	Brass	Brass	Brass
Pump	Grundfos	Grundfos	Grundfos
Cupboard fit	✓ (fits in a 290mm deep cupboard)	✗	✗
Filling device	Easy-Fill permanent filling link	Rigid filling link	Easy-Fill permanent filling link***
Flue position	Top Central	Top Offset	Top Offset
Warranty (Parts & Labour)	7 Years	7 Years	10 Years
Mounting	Hanging Bracket	Pre-Plumb Jig	Pre-Plumb Jig
Expansion vessel size	7 Litres	8 Litres	8 Litres
Boiler temperature controls	Dials	Dials	Dials
Integral timer / receiver	✗	✓	✗
uSense compatible	✓*	✓**	✓**
Pump Overrun	✓	✓	✓
Permanent Live	✓	✓	✓

\* Via OpenTherm Wireless Connection

\*\* Via 240V Switch Live Connection

\*\*\* Available Feb 2018

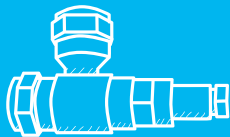
# How we can help



## Baxi Customer Support

- Team of experts with products at hand to support installation, service and repair
- Further technical support and how-to videos available at [baxi.co.uk](https://www.baxi.co.uk)

Call us on **0344 871 1525**



## Baxi Genuine Parts

- Approved parts for Baxi products
- Guaranteed quality, safety and reliability
- Nationwide network of approved stockists
- Lifetime support for Baxi products
- Range of heating essentials available

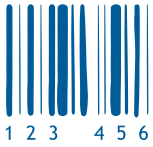
Call our knowledgeable and helpful team on **0344 871 1540** or visit [baxi.co.uk/baxi-genuine-parts.htm](https://www.baxi.co.uk/baxi-genuine-parts.htm) to identify parts and find your nearest stockist



## Training

- Practical, hands on training
- Free of charge product training
- A range of specialist courses
- Expert trainers, all accredited, former heating engineers
- Training centres across the UK

Visit [baxi.co.uk/training](https://www.baxi.co.uk/training) or call **0344 335 4207**



## Baxi Works

Sign up to **Baxi Works**, Baxi's online loyalty scheme for installers. Benefits include:

- Same or next day engineer call out from Baxi Customer Support\*
- Free Gas Safe notification and easy warranty registration
- Scan your barcodes using the Baxi Toolbelt App
- Free annual service reminders sent to your customers on your behalf
- Free listing on [baxi.co.uk](http://baxi.co.uk) to receive homeowner leads
- Earn points for every boiler you register

Visit [baxiworks.co.uk](http://baxiworks.co.uk) to find out more



## Events

Visit Baxi Area Sales Managers at your local merchant for an opportunity to get your hands on the latest Baxi boilers and discuss developments in the heating industry.

For more information and to join us at a merchant local to you, visit [baxievents.co.uk](http://baxievents.co.uk)



## Literature

You can order all the literature you need for you and your customers, including:

- Range guides
- Product brochures for consumers
- Installation instructions
- User guides
- Instructions for discontinued products

Call the Baxi literature hotline on **0344 871 1525** or contact your local Baxi Area Sales Manager.

All our literature can be downloaded from our website [baxi.co.uk](http://baxi.co.uk)



0344 871 1525

#### Opening hours

Monday - Friday, 8.00am - 6.00pm

Weekends and bank holidays, 8.30am - 2.00pm

We are open 365 days a year.

Please note calls may be monitored or recorded.



[baxi.co.uk](http://baxi.co.uk)



[info@baxi.co.uk](mailto:info@baxi.co.uk)



Baxi

Brooks House

Coventry Road

Warwick CV34 4LL



This brochure is printed on paper sourced from well managed forests and other controlled sources. This brochure is printed using vegetable based inks. Please recycle this brochure when you have finished with it.

Baxi policy is one of continual improvement and development. The right to change specification and appearance without prior notice is reserved. The reproduction of colours is as accurate as photographic and printing processes allow. The consumer's statutory rights are not affected. e&oe

600&HEARange/Jun18

**BAXI**  
Make it easy